

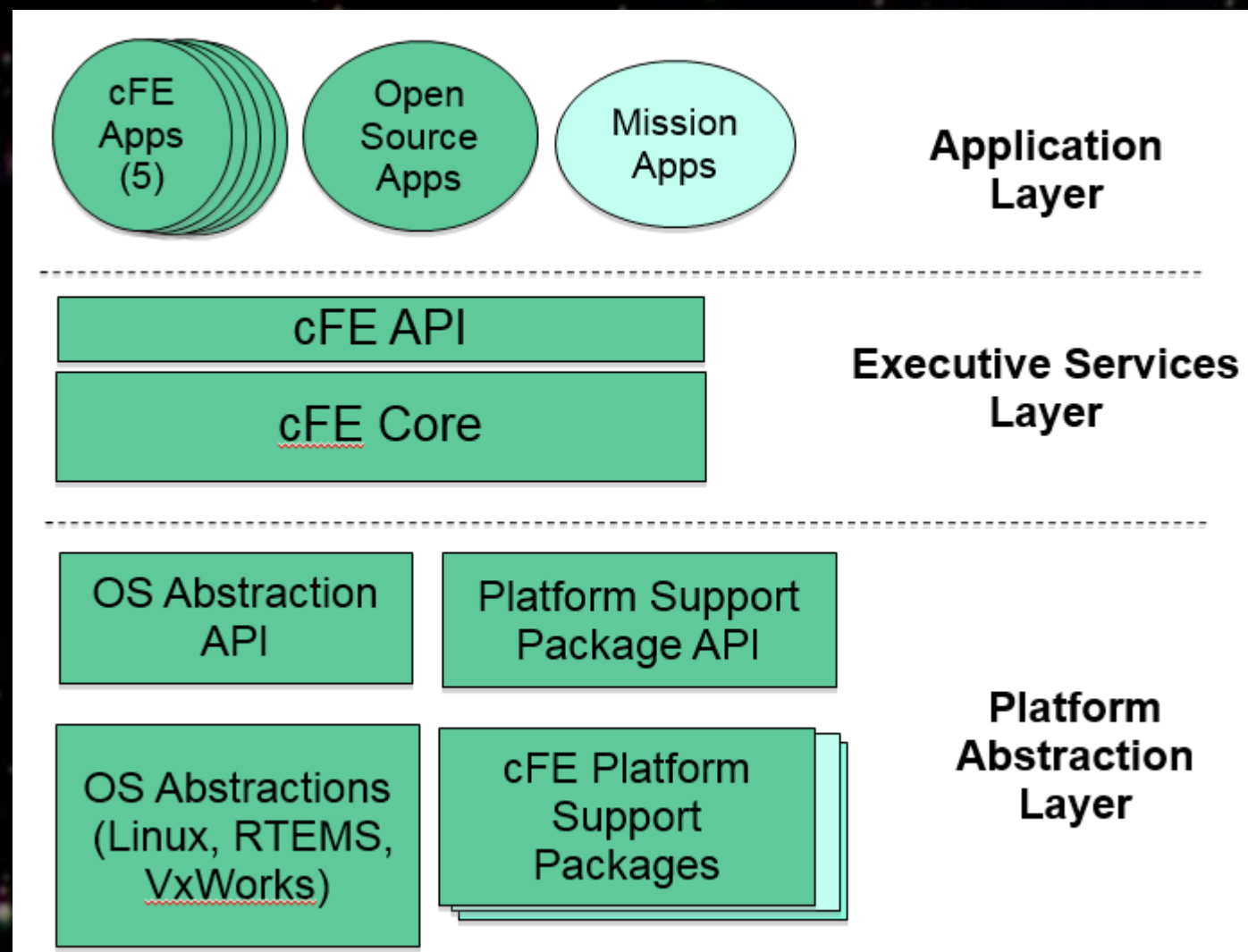


# CORE FLIGHT SYSTEM (CFS) STARTER KIT



OPENSATKIT.GITHUB.IO

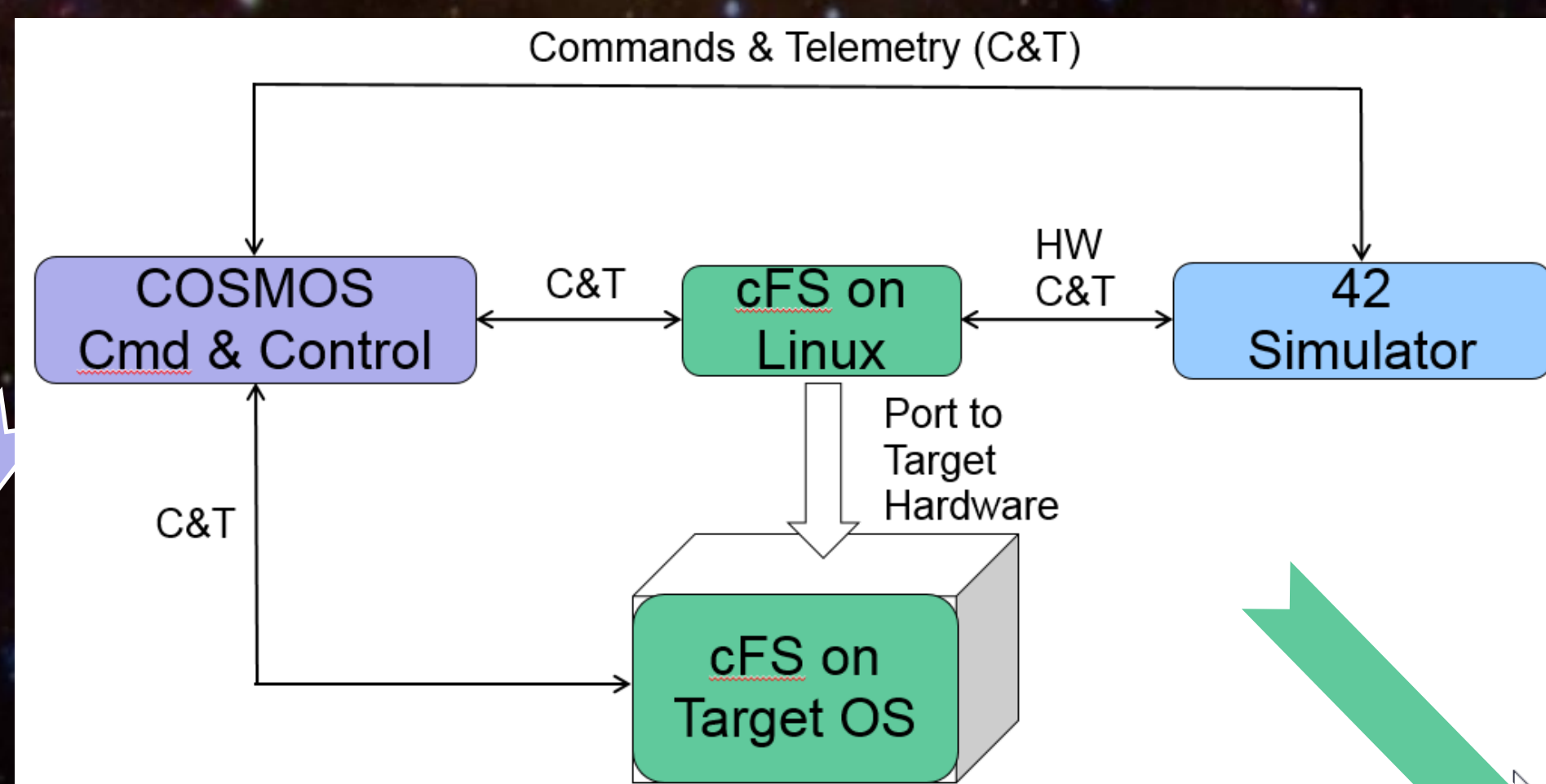
## CFS OVERVIEW



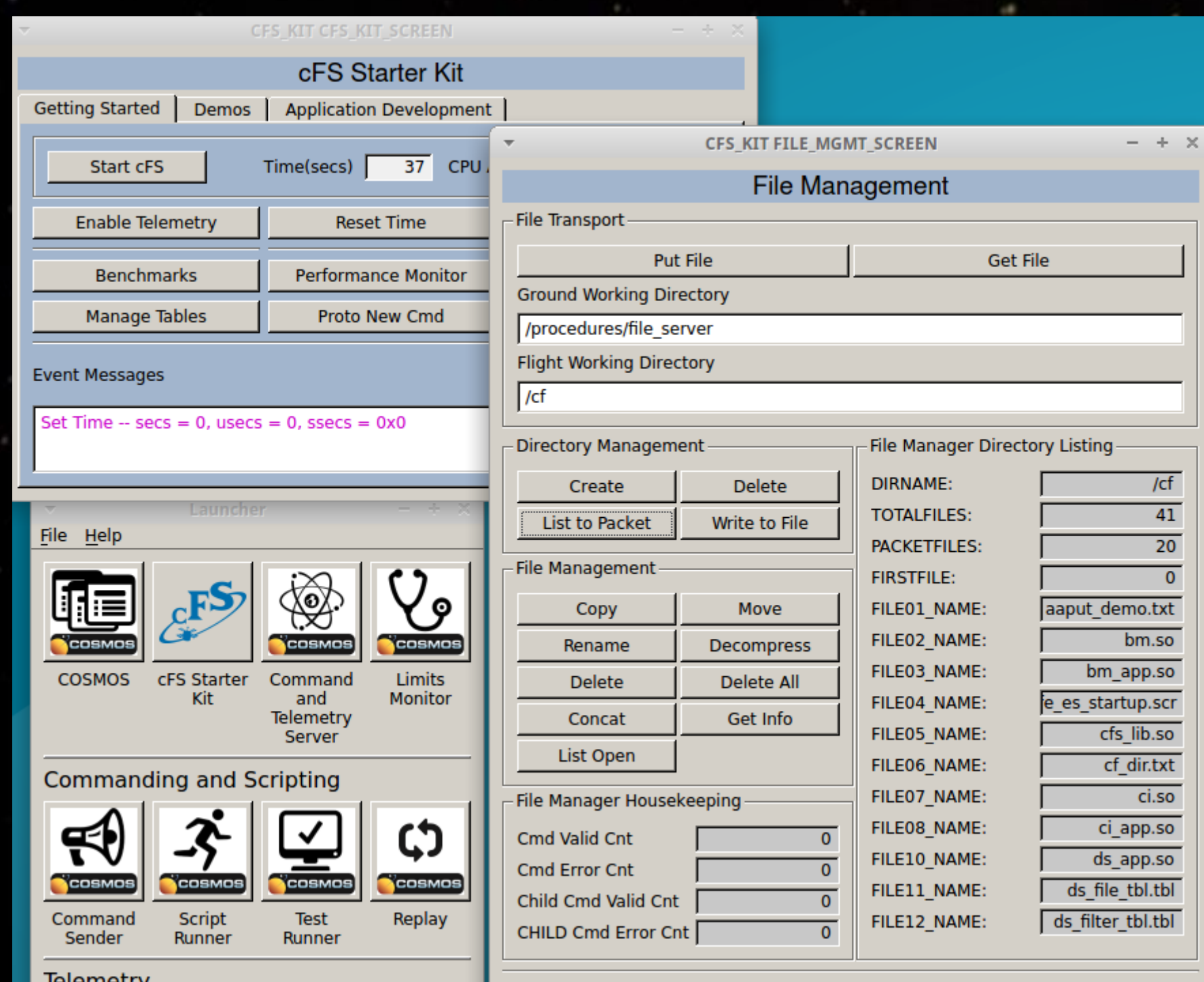
- CFS IS A MATURE HIGH QUALITY OPEN SOURCE FLIGHT SOFTWARE (FSW) FRAMEWORK
- USED ON FLAGSHIP NASA MISSIONS (GPM, LADEE, LRO,...)
- SCALABLE FOR USE ON CUBESATS (CERES, DELLINGR,...)
- COLLECTION OF A REUSABLE PLATFORM ABSTRACTIONS AND APPLICATIONS

## CFS STARTER KIT

- TURNKEY FSW RUNTIME ENVIRONMENT USING OPEN SOURCE COMPONENTS
- COSMOS AND COMMON CFS APPS PRE-CONFIGURED TO PROVIDE AN OPERATIONAL SYSTEM
- IDEAL FOR RAPID DEVELOPMENT AND TEST OF CUBESAT/SMALLSAT FLIGHT SOFTWARE
- BUILT-IN DEMOS SIMPLIFY CFS LEARNING CURVE
- REDUCE COST AND RISK FOR CUBESAT/SMALLSAT FSW EFFORTS
- PORTING FROM A WORKING TARGET TO A MISSION-SPECIFIC TARGET GREATLY SIMPLIFIES INITIAL FLIGHT SOFTWARE DEVELOPMENT EFFORT
- DEAL FOR FLIGHT SOFTWARE EDUCATION AND OUTREACH



## COSMOS



## SOFTWARE-ONLY DESKTOP TARGET

## PI-SAT TARGET

